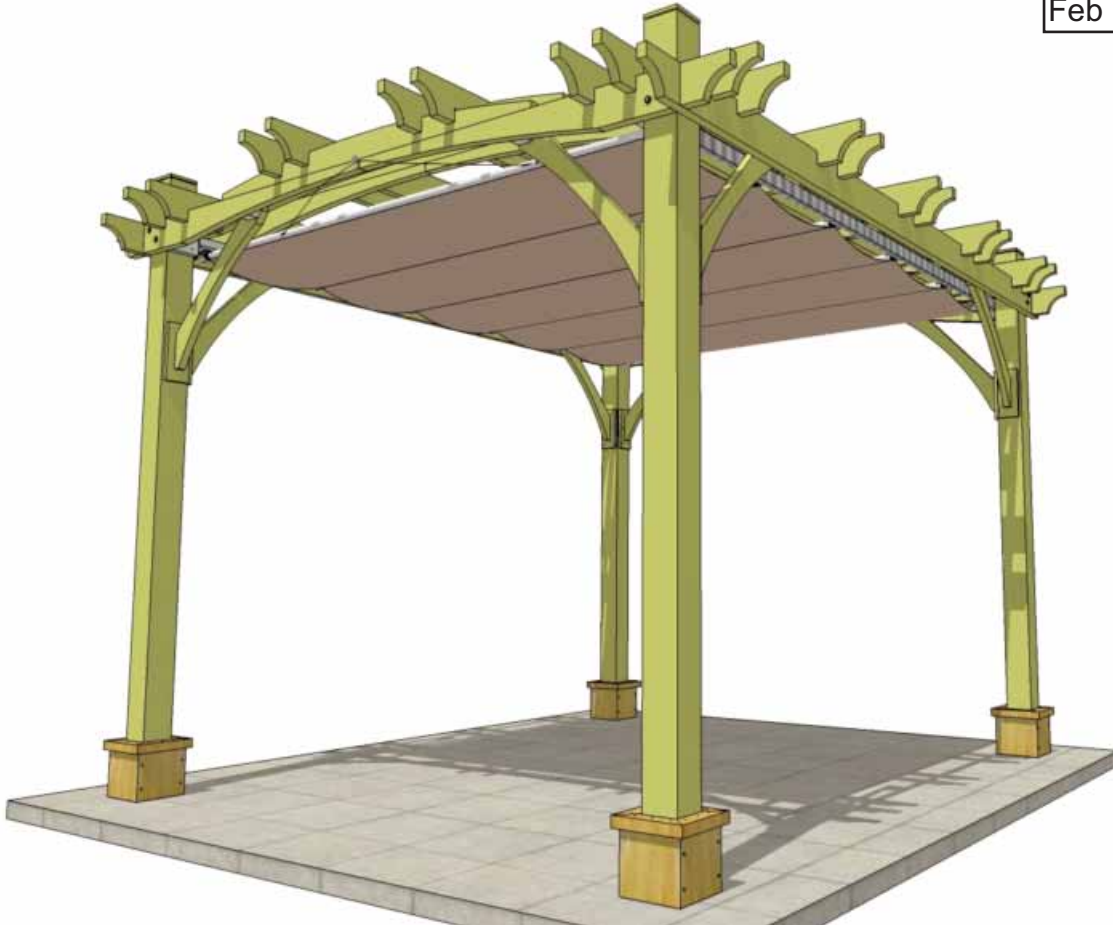




OLM Retractable Canopy for
10X12 Arched Breeze Pergola
by
OLM Ltd.

Revision #6
Feb 23rd/2017



Care and Maintenance -

Do not leave canopy extended during heavy snow storms or any extreme weather conditions. Reasonable care should be taken to remove accumulated dirt and debris in track. Canopy Tracks may have sharp corners. Always use gloves when handling to prevent cuts. Lubrication (supplied in kit) of wing wheels and track should be done annually. Wing and canopy can be removed seasonally to improve longevity. To keep the Harbor-Time canopy fabric looking clean and bright, wash periodically with a soft brush, warm water and mild soap. Do not use detergent. 5 year limited manufacturer's warranty on the Harbor-Time canopy fabric.

Customers agree to hold OLM Ltd. and any Authorized Dealers free of any liability for improper installation, maintenance and repair of any OLM products.

In the event of a missing or broken piece, simply call the OLM's Customer Support Line @ 1-888-658-1658 within 30 days of the delivery of your purchase. It is our commitment to you to courier replacement parts, free of charge, within 10 business days of this notification. Replacement parts will not be provided free of charge after the 30 day grace period.

10x12 Arched Breeze Pergola Retractable Canopy Parts List

Parts List



1 1/4" Self Tapping Pan Head Screws
- 14 Pcs.



1 1/4" Brown Wood Screws -
- 8 Pcs.



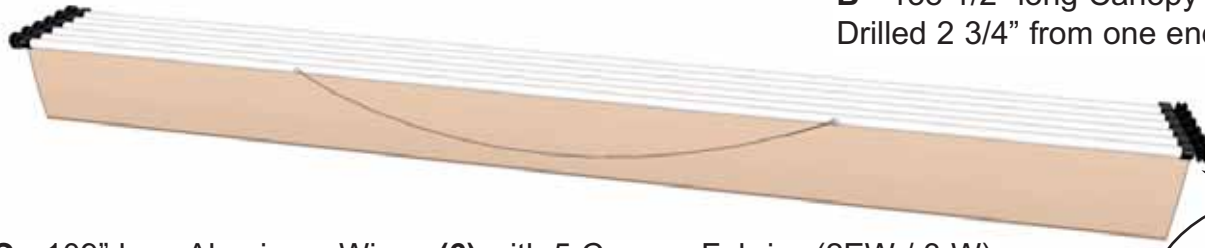
3" Brown Screws -
- 8 Pcs.

A - 1 1/2" x 1 1/2" x 8 1/2"

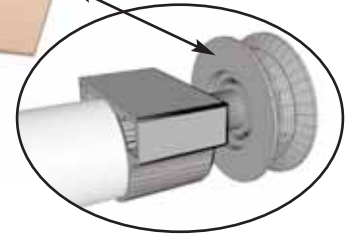
Canopy Lowering Cleat - **3 Pcs.**



B - 138 1/2" long Canopy Tracks - 2 Pcs.
Drilled 2 3/4" from one end only. (Left/Right)



C - 109" long Aluminum Wings (**6**) with 5 Canopy Fabrics.(2EW / 3 W)
(Plastic Wheel attached to each Wing end).
Actual Aluminum Wing Length - 106 1/4"
Actual Fabric Length - 106 1/2"



D - Aluminum Wing Stop
5 1/2" Long- **2 Pcs.**
2 drill holes.



Track Lubricant - 1 Pc.



E - Wing Anchor Knobs
- 3 Pcs.



F - Canopy Pull Handle

Tools Required (Not Provided)



Screw Gun/Drill



Level



1/8" Drill Bit



Tape Measure



2 Ladders

Safety Equipment Required (Not Provided)



Safety Glasses

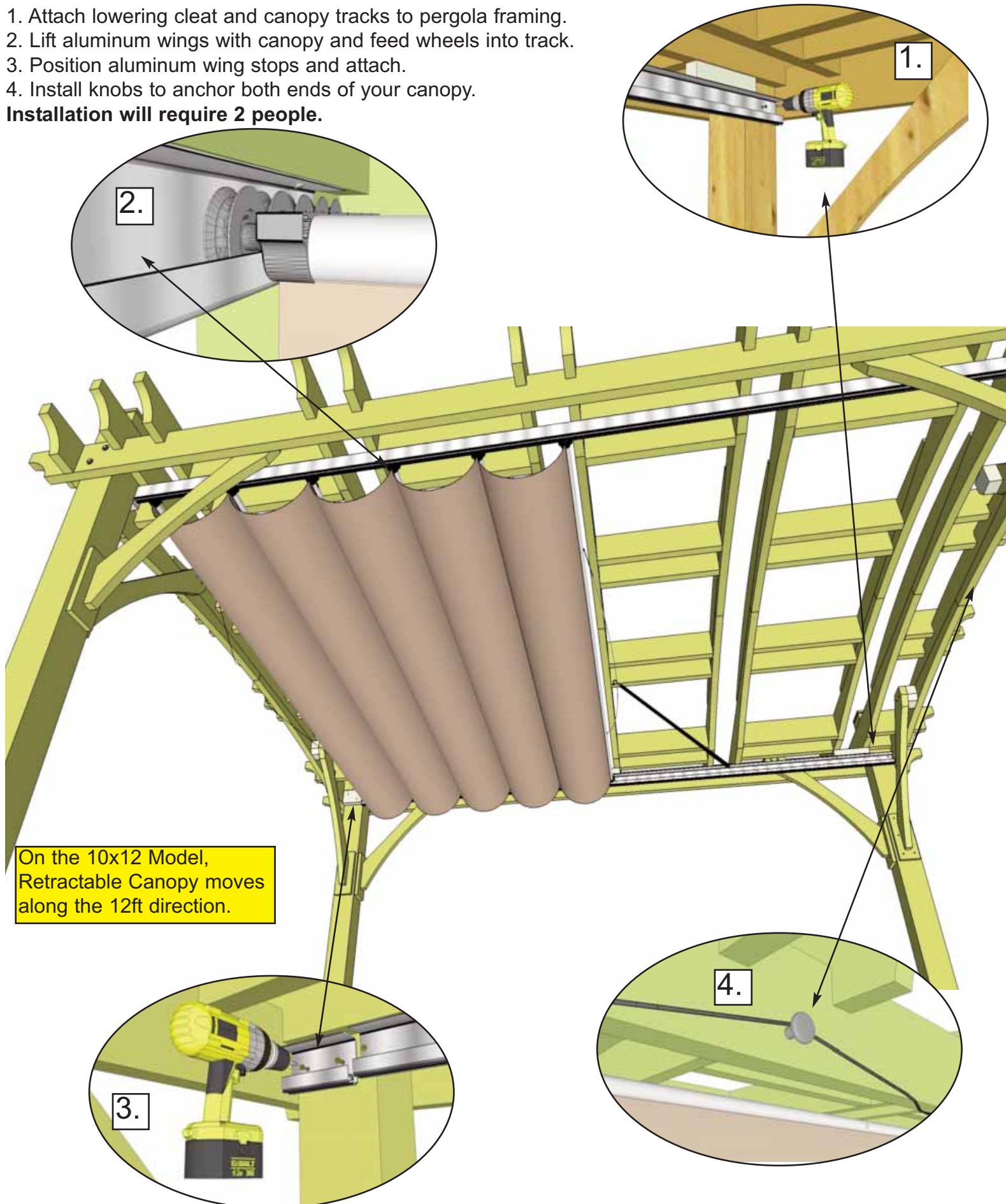


Work Gloves

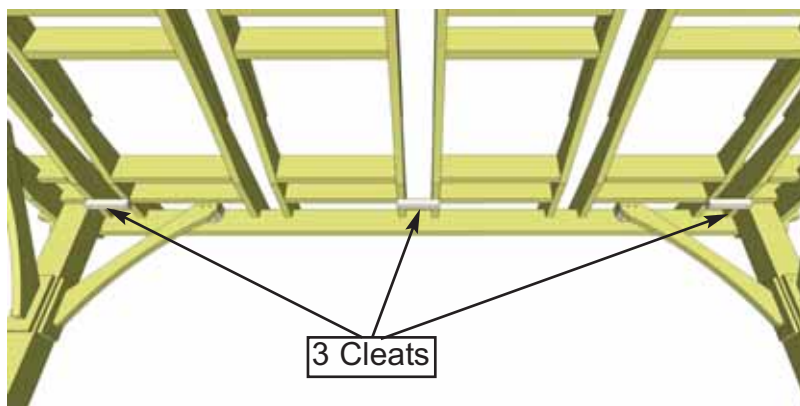
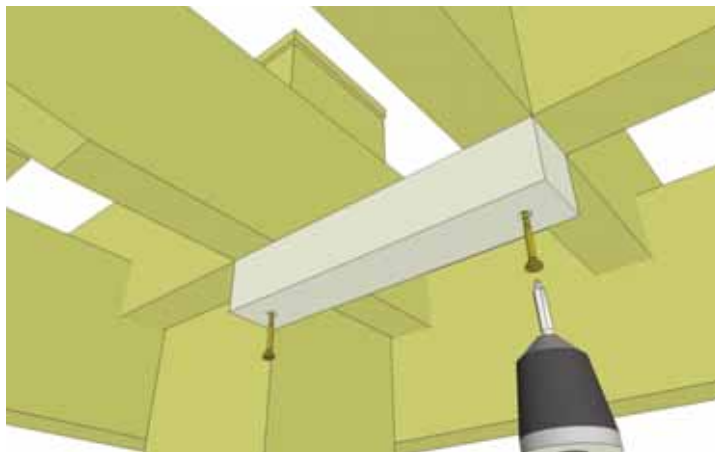
Installation of the OLM Retractable Canopy couldn't be easier. Just 4 Easy Steps!

1. Attach lowering cleat and canopy tracks to pergola framing.
2. Lift aluminum wings with canopy and feed wheels into track.
3. Position aluminum wing stops and attach.
4. Install knobs to anchor both ends of your canopy.

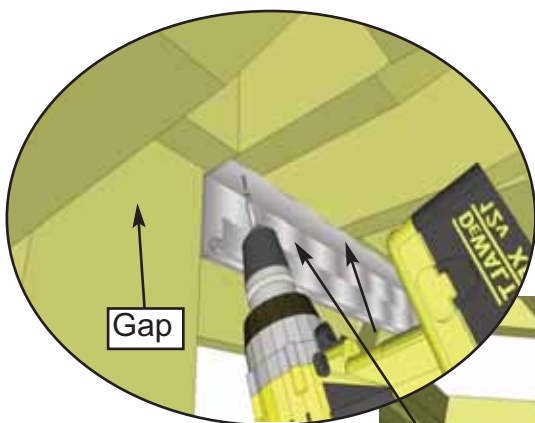
Installation will require 2 people.



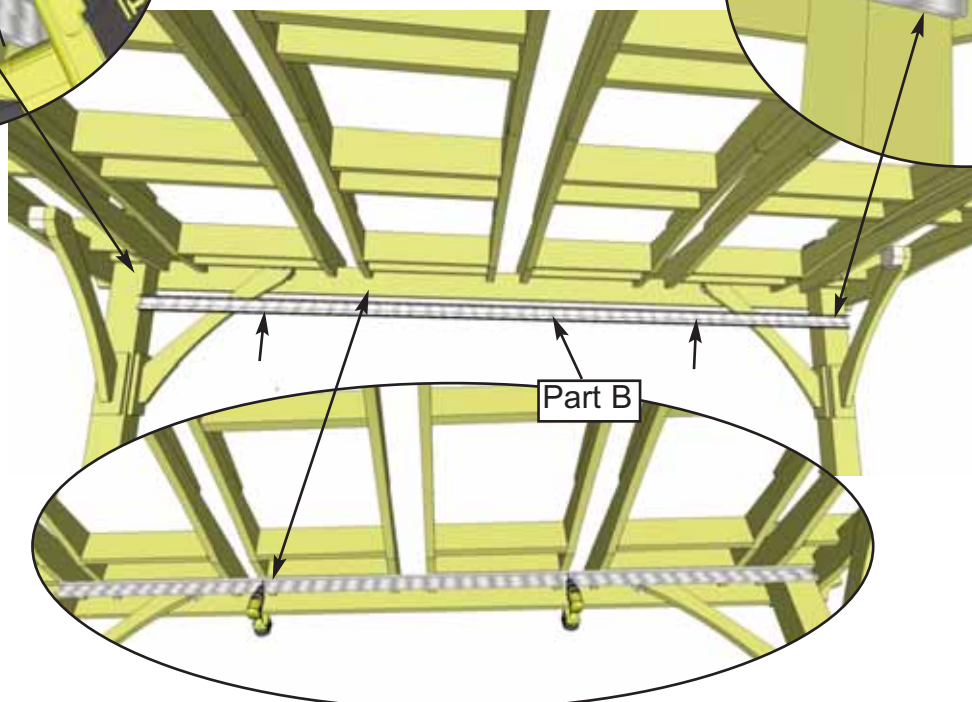
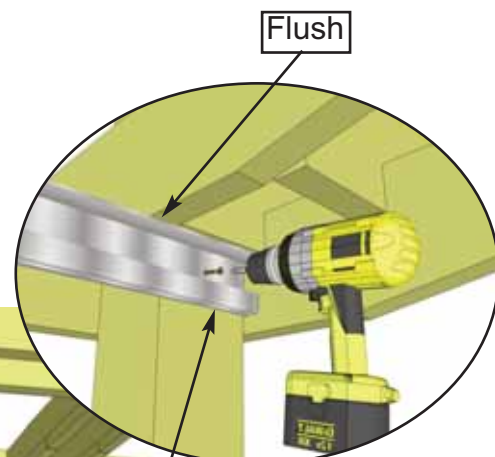
On the 10x12 Model,
Retractable Canopy moves
along the 12ft direction.



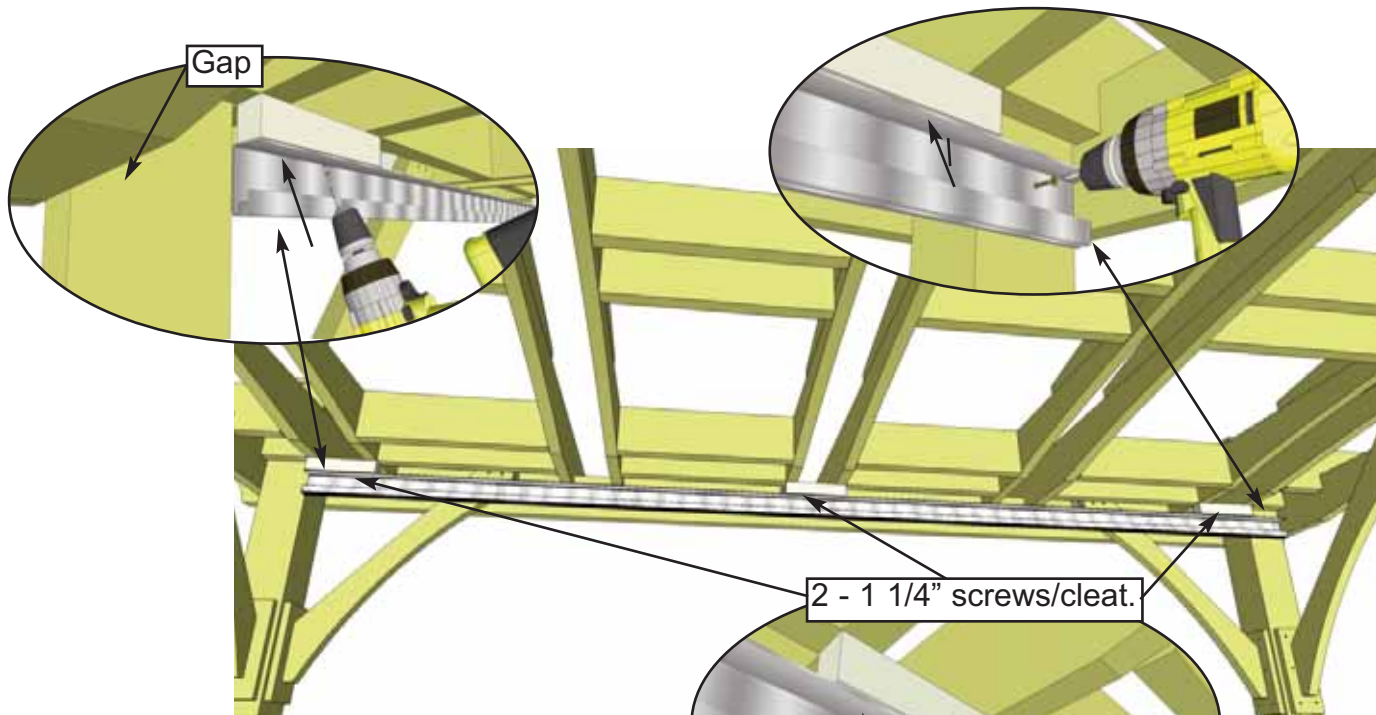
1. With a Step Ladder, install **Part A - Canopy Lowering Cleats - 3 pcs. (1 1/2" x 1 1/2" x 8 1/2")** with **2 - 3" screws**. Cleats will lower the canopy on one side and drain water off the fabric so it doesn't collect excessively. Decide best side for water to drain for your situation. Position cleats underneath pergola joists or blocking as shown above and attach. Cleats are pre-drilled 3/4" from each end.



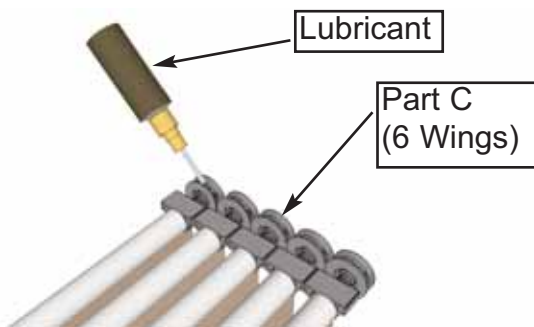
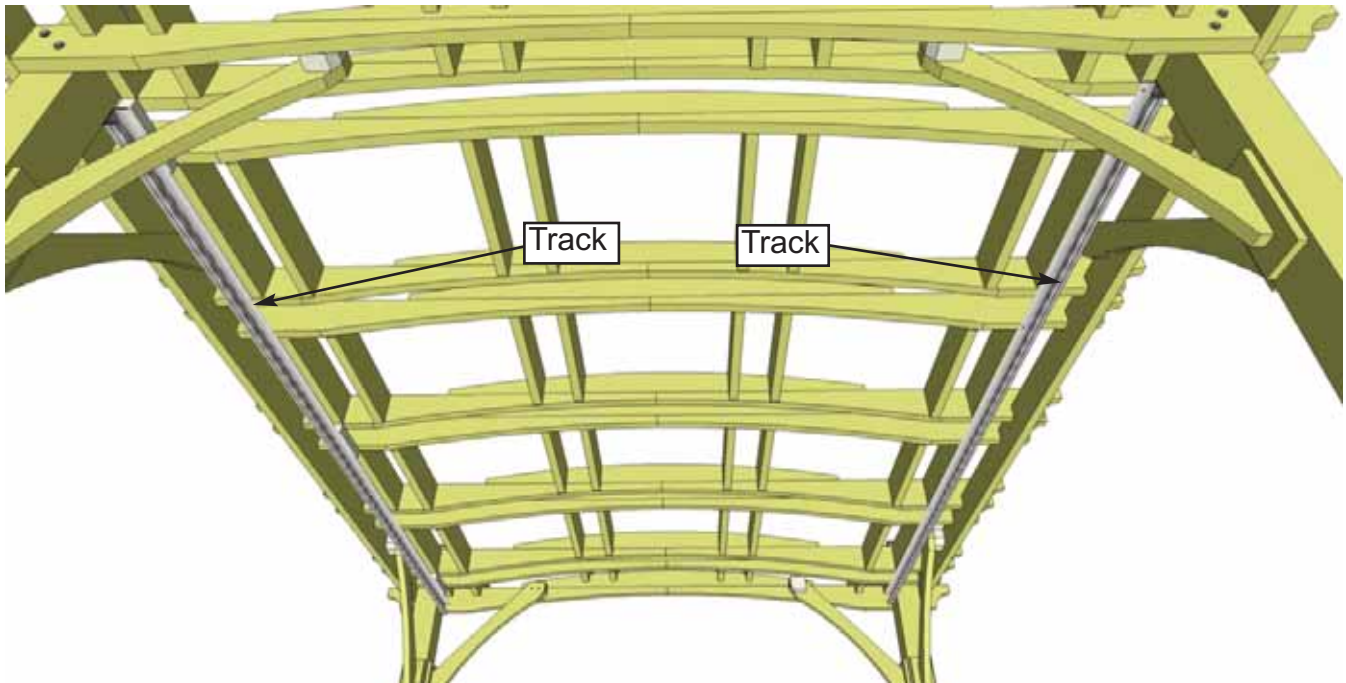
Gap for wooden wing stop is generally the anchor end of canopy and where the fabric will bunch up.



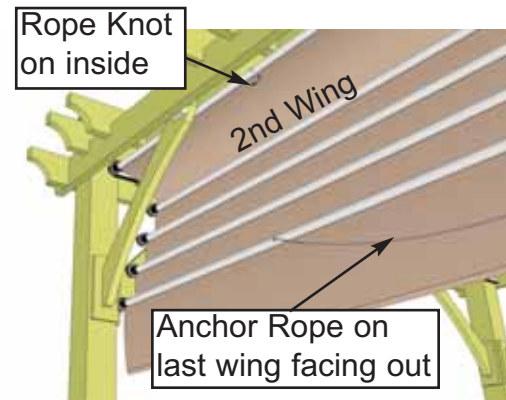
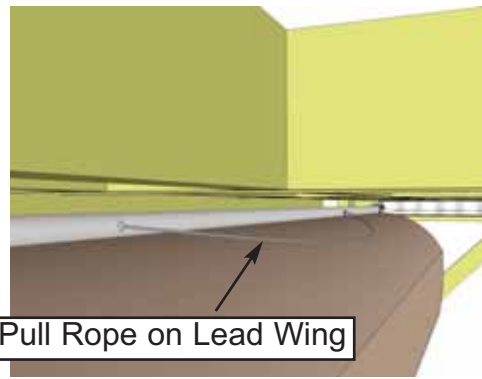
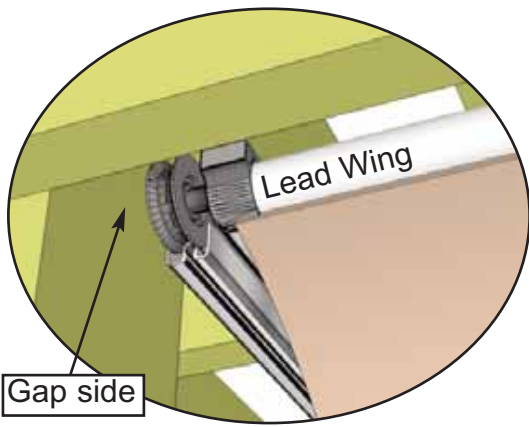
2. With Step Ladders and assistance, lift up **Part B - 138 1/2" long Canopy Track** and position against post and tight to the underside of pergola joist (use side without lowering cleats first). Align track with drilled end (2 3/4" away from one end) against post. Attach track to post with 1 - 1/4" Brown Screw. On opposite end of track, screw 2 - 1 1/4" Sliver Self Tapping Screw up through the track into bottom of wood joist. Attach 2 - 1 1/4" Silver Self Tapping Screw evenly spaced from the track into the bottom of joist.



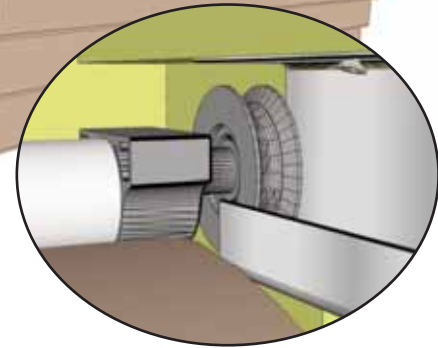
3. Align and attach second **Canopy Track** directly underneath lowering cleats as per Step 2. Position track with drilled end flush against post as illustrated above.



4. Prior to feeding **Part C - Aluminum Wings and Canopy** into track, locate Lubricant in Hardware Pack and apply a small amount to top of each wheel. Spin wheel slowly to lubricate entire surface. Complete all wheels.

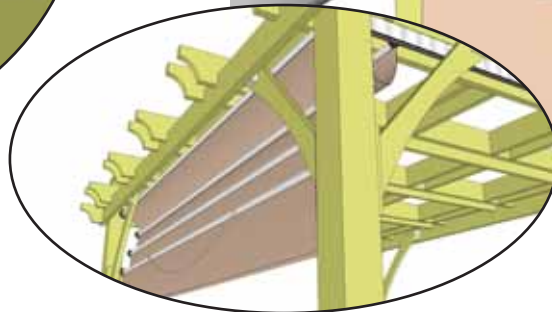
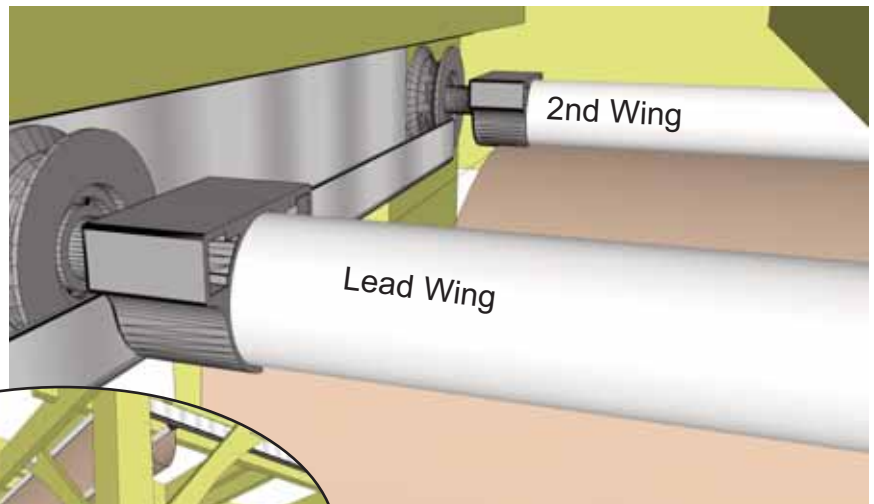
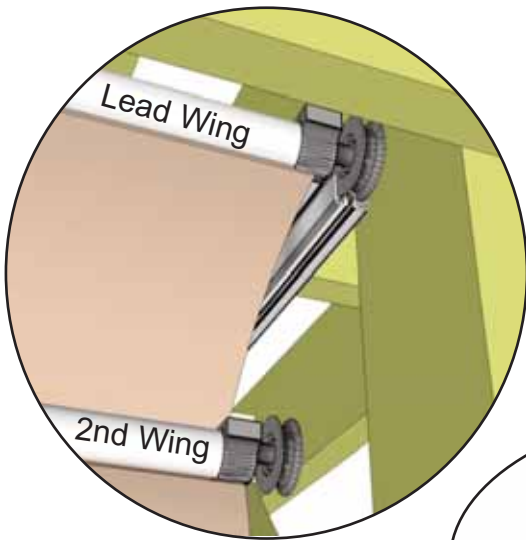


5. Before feeding Part C - 109" long Aluminum Wings (6) with Canopy into track, make sure canopy fabric is facing the correct direction. First, locate Lead and Anchor Wings in set. Both have a black pull rope attached. Make sure rope knots are facing to the inside and the pull rope is facing to the outside. Starting with the Lead Wing, feed the wing wheels onto the track as shown above. Wheels have springs and compress in and out slightly to fit. Feed wings in the track that is open on the end (gap side) first.



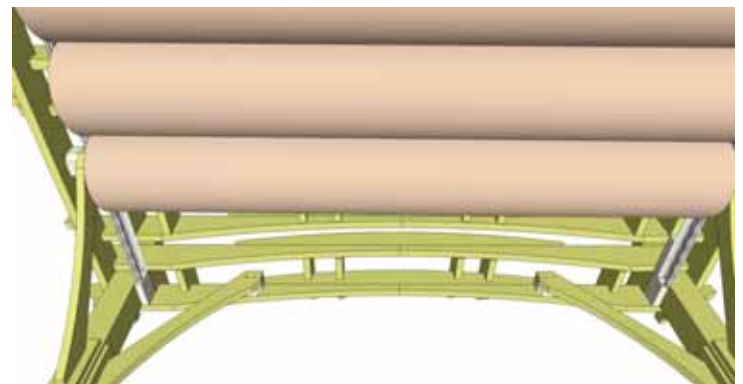
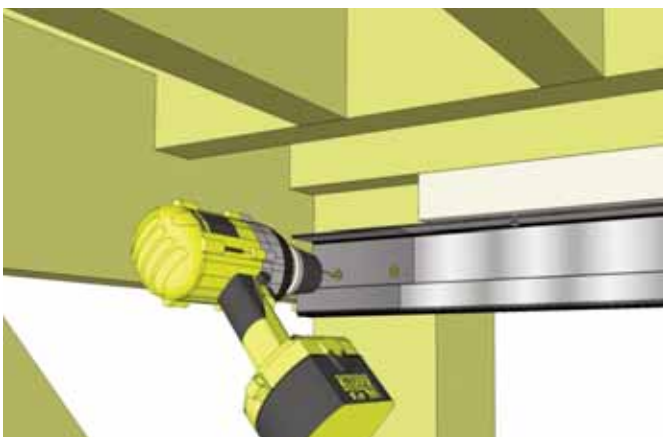
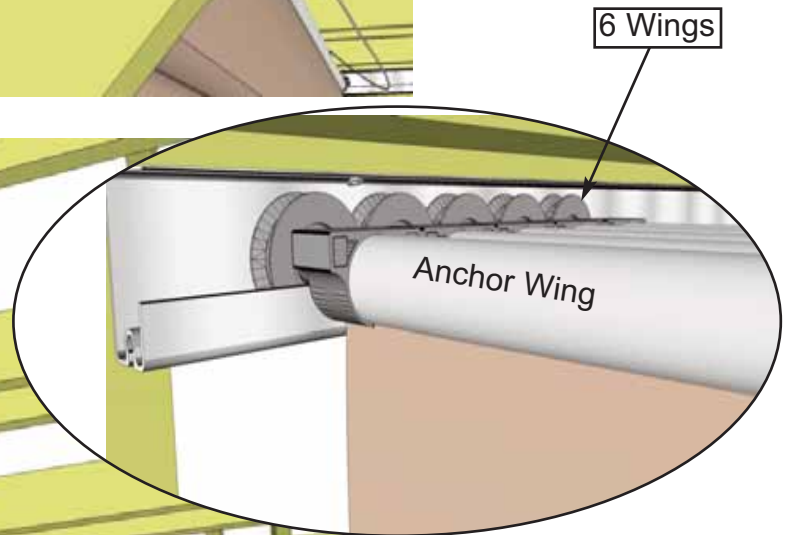
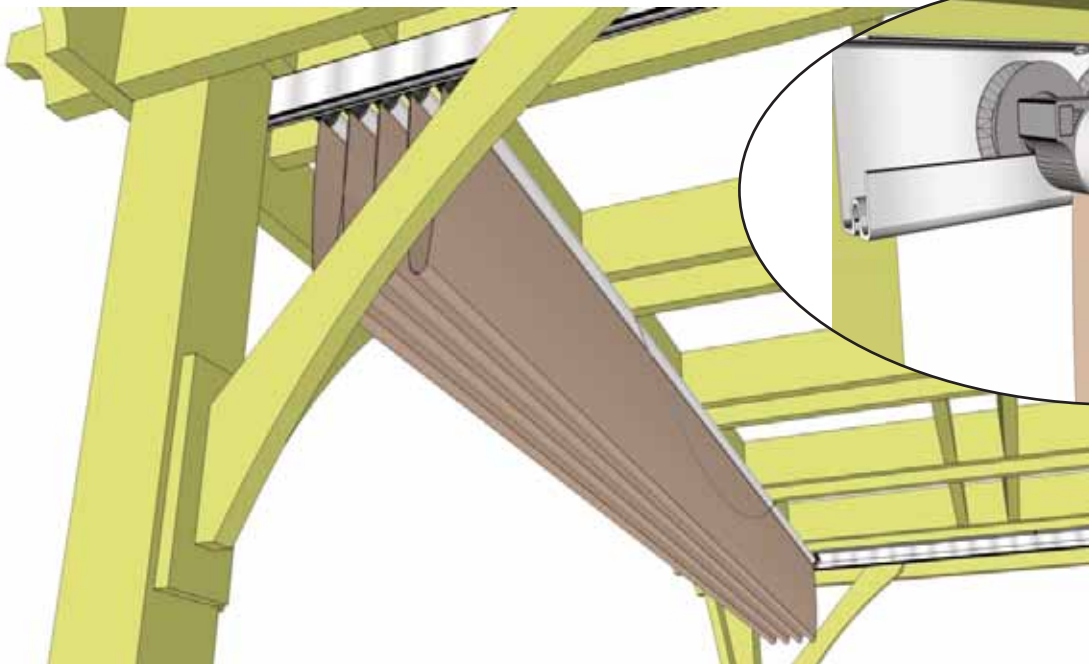
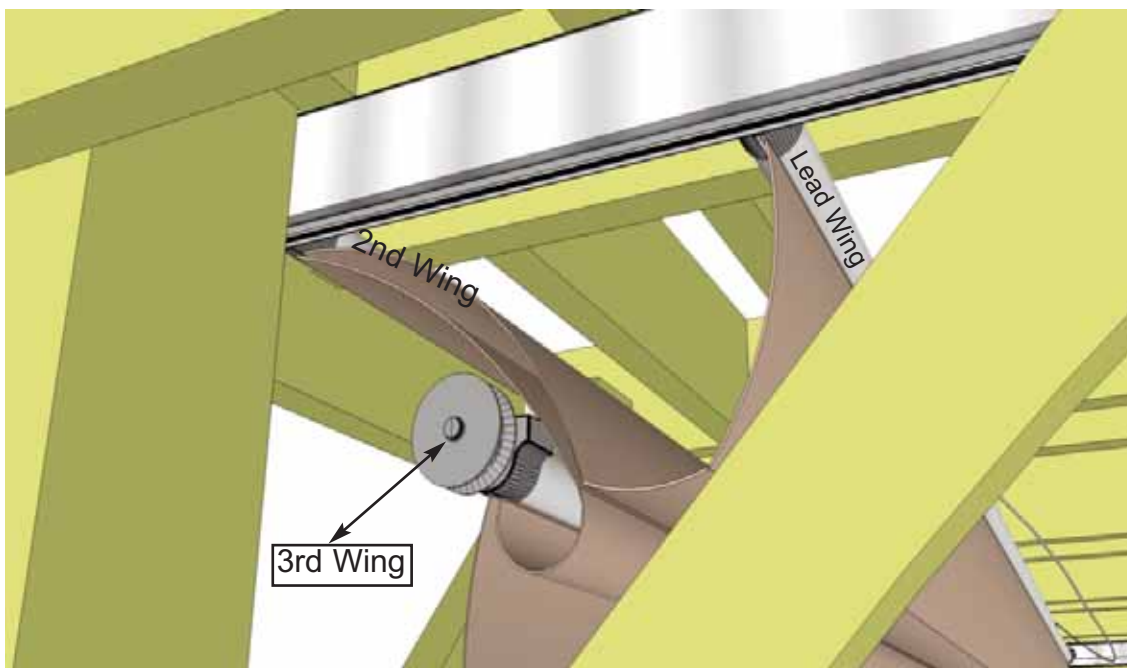
Important- Ensure rope knots are on the top side of the canopy, facing the center of the pergola so that pull rope is accessible.

You will need 2 Ladders and a helper to feed the wings into track.

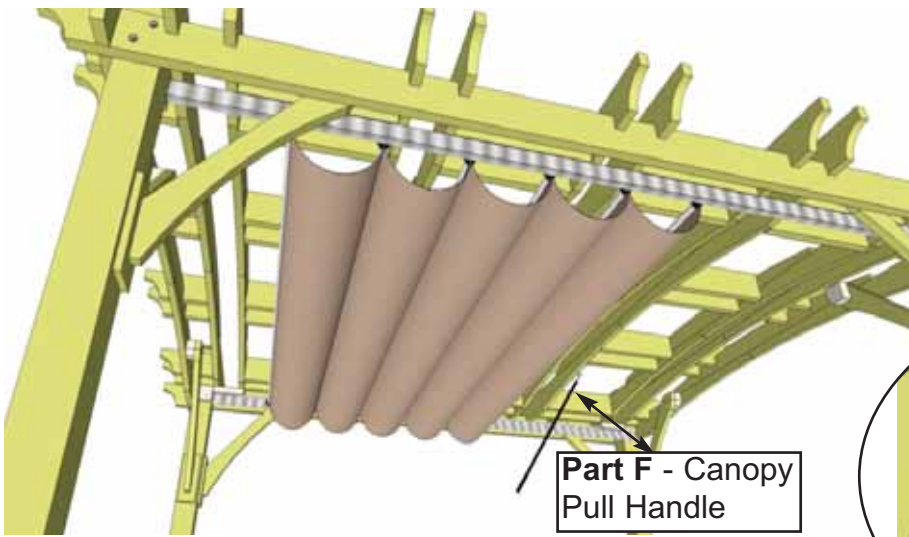


6. Push Lead Wing slightly ahead on track. Wings can roll out of track until Part D - 5 1 1/2" long Aluminum Wing Stops are installed so be careful. Lift and feed 2nd Wing into track and push wing slightly forward.

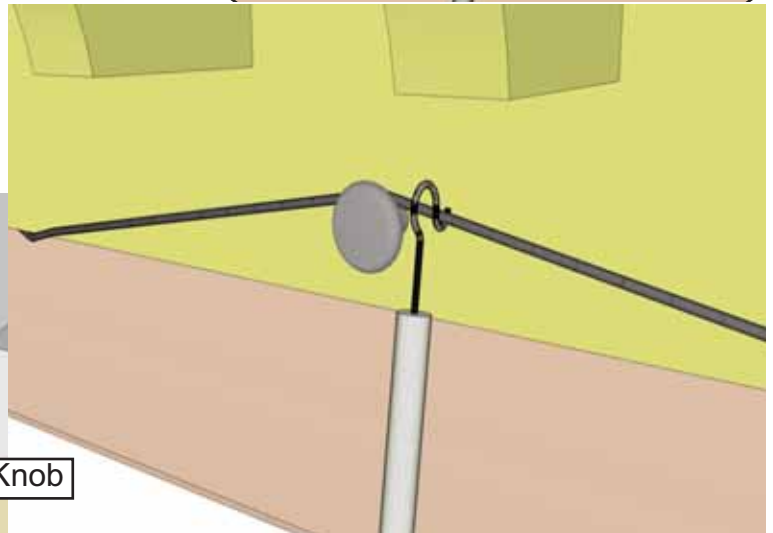
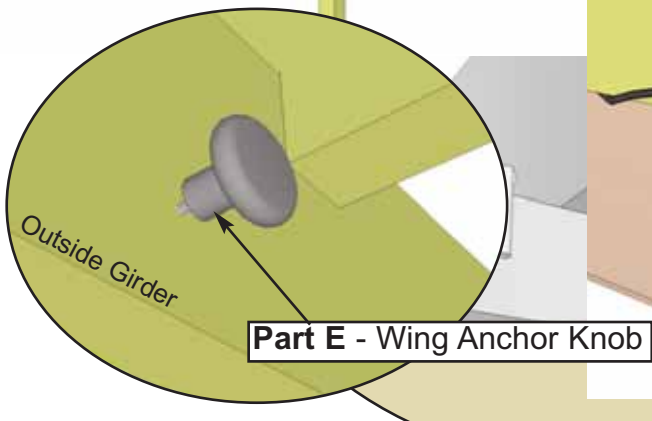
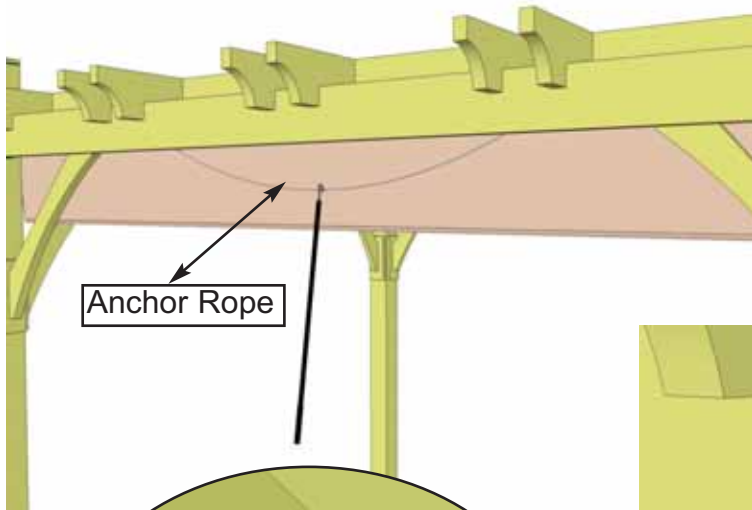
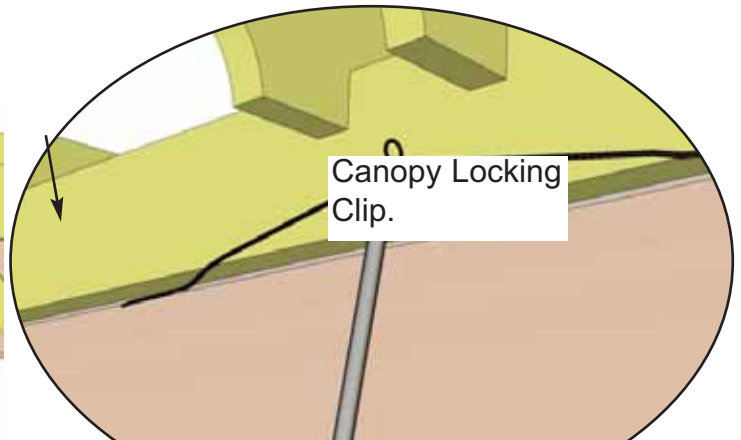
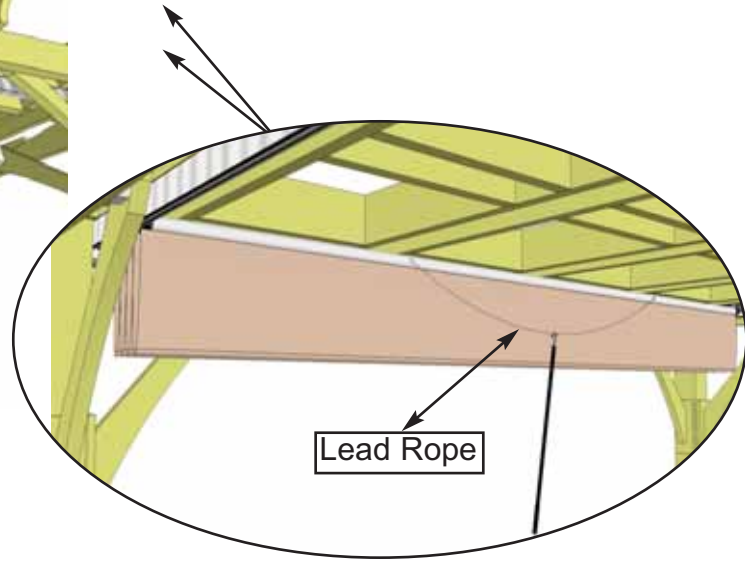
7. Continue to feed wings into the track until all wings are installed.



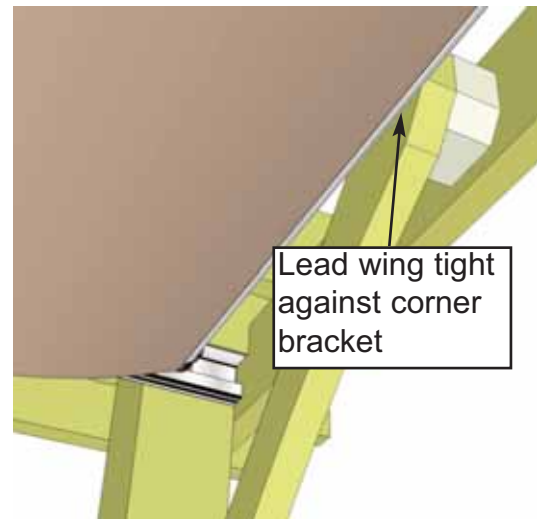
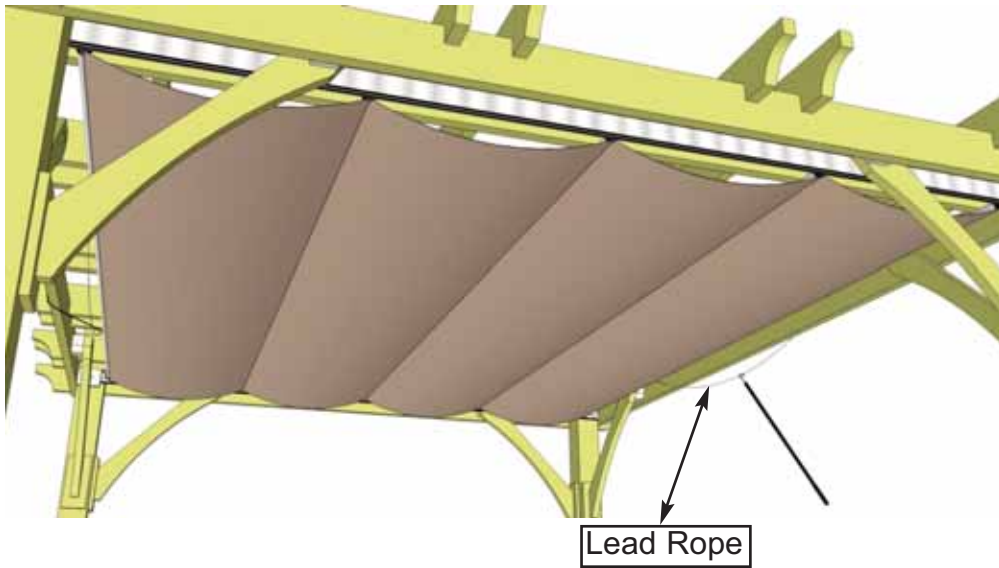
8. Install **Part D - 5 1/2" long Aluminum Wing Stops - 2 Pcs.** where track ends and gap exists. Use 2 - 1 1/4" brown screws per stop to install. When removing the wings and canopy in the future, simply remove wing stops and roll wing and canopy out carefully with a helper.



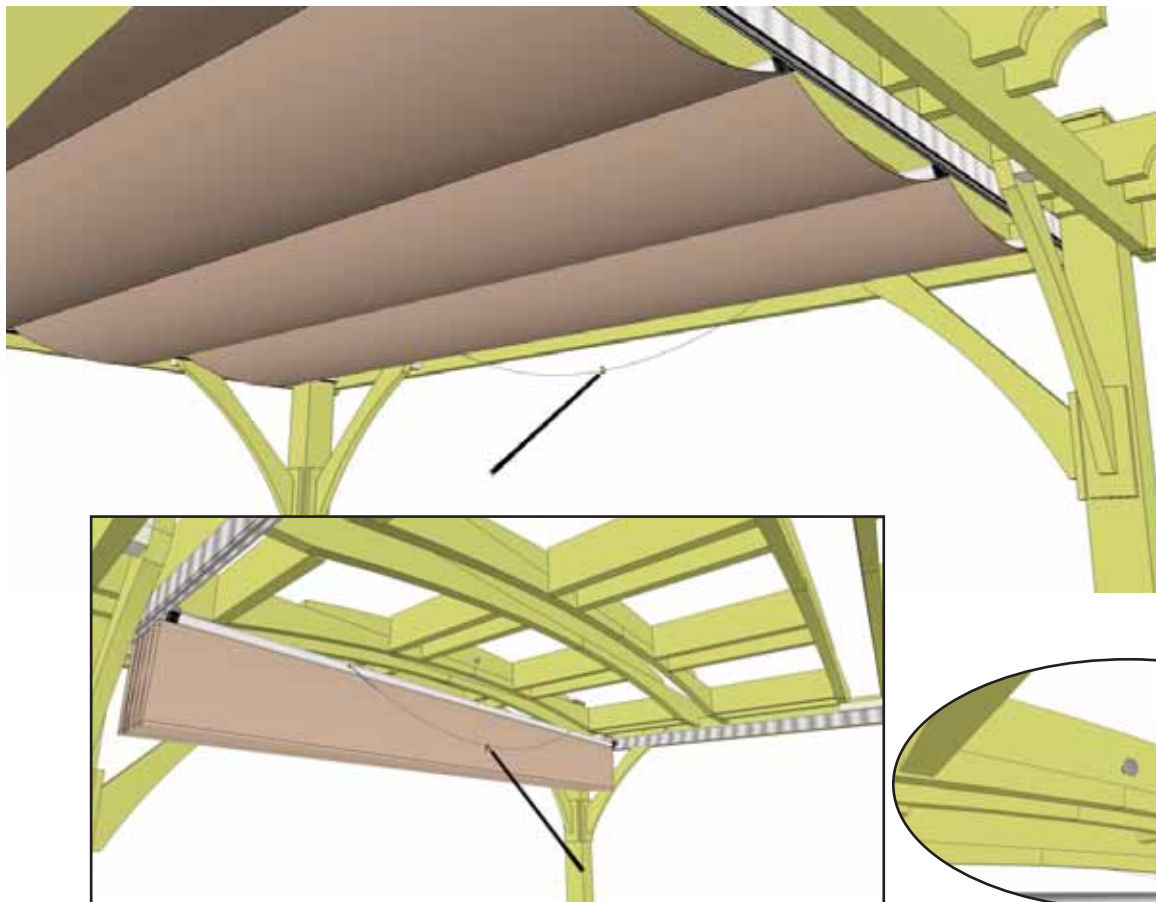
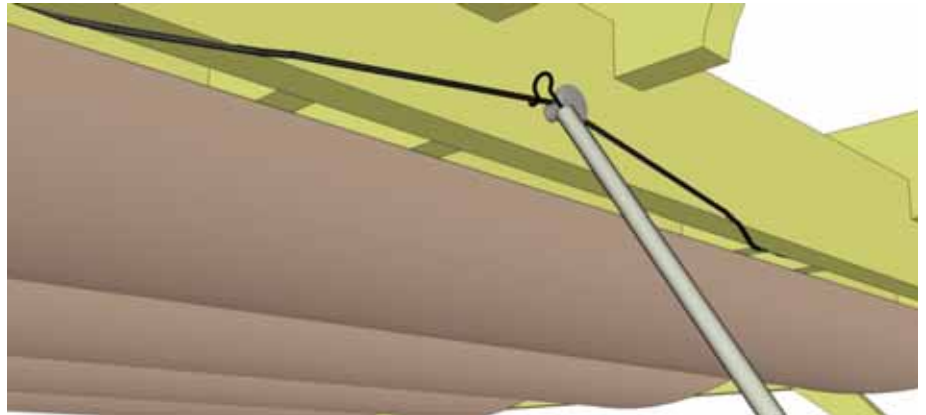
9. Using **Part F - Canopy Pull Handle**, pull canopy back and forth a few times to lubricate wheels and track. If wing binds, stop and pull forward until wings are straight and start again. When wings and canopy are tracking well, pull canopy to anchor side of pergola to install **Part E - Wing Anchor Knob**.



10. With canopy pull handle or on a ladder using your hand, pull anchor rope up tight so anchor canopy wing can't move. Confirm anchor wing wheel is against wooden wing stops. Center Anchor Knob from side-to-side and mark. Before attaching, make sure anchor rope will be snug when slipped over knob. Screw wing anchor knob into outside girder. Pre-drilling with 1/8" drill bit may be helpful.

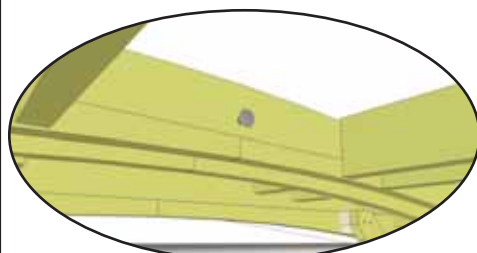


11. Pull canopy out using pull handle on lead rope. Fully extend canopy until outside lead wing contacts corner bracket or until canopy cannot extend further. Follow **Step 10** to position and attach wing anchor knob to outside girder.



12. Extend and contract the canopy several times with pull handle. When extending or contracting the canopy, **pull** firmly in one continuous motion to prevent wings from binding.

When your canopy is contracted, an optional 3rd wing anchor knob can be installed to keep canopy from opening in windy conditions. Follow **Steps 9 and 10** to install. Use any convenient joist to install knob.

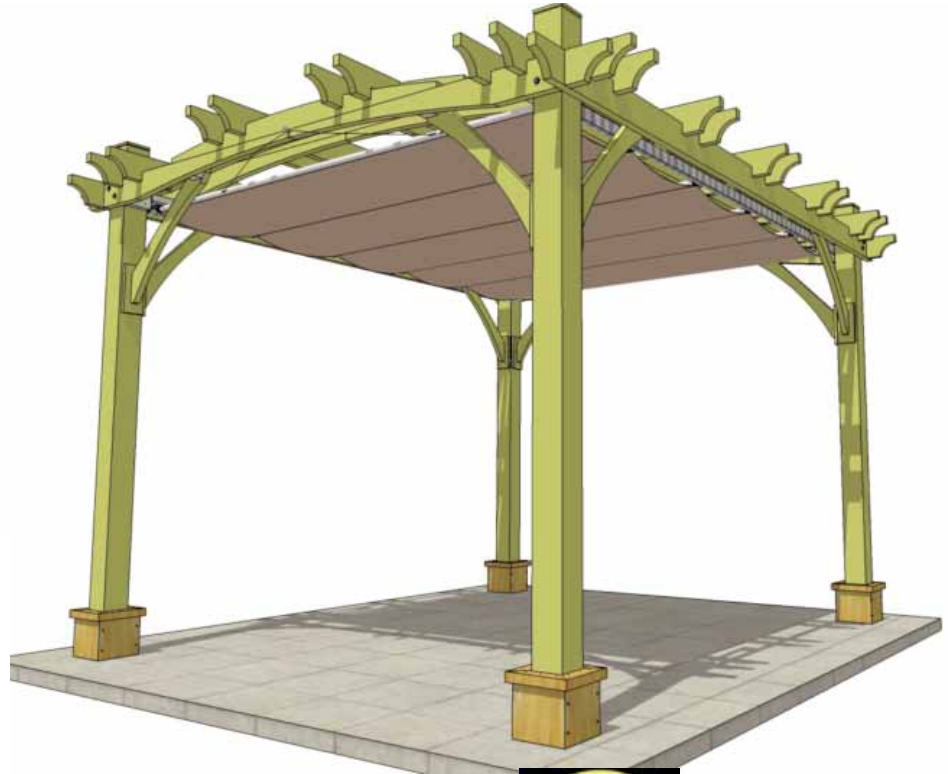


Congratulations on installing your OLM Retractable Canopy from OLM Ltd.



Care and Maintenance -

Do not leave canopy extended during heavy snow storms or any extreme weather conditions. Reasonable care should be taken to remove accumulated dirt and debris in track. Canopy Tracks may have sharp corners. Always use gloves when handling to prevent cuts. Lubrication (supplied in kit) of wing wheels and track should be done annually. Wing and canopy can be removed seasonally to improve longevity. To keep the Harbor-Time canopy fabric looking clean and bright, wash periodically with a soft brush, warm water and mild soap. Do not use detergent. 5 year limited manufacturer's warranty on the Harbor-Time canopy fabric.



We hope your experience assembling your OLM Retractable Canopy has been both positive and rewarding.

We value your feedback and would like to hear back from you on how well we are doing in the following areas:

1. Customer Service
2. On Time Shipping
3. Motor Freight Delivery
4. Quality of Materials
5. Assembly Manual
6. Overall Satisfaction.



The materials contained in this Assembly Manual may be downloaded or copied provided that ALL copies retain the copyright and any other proprietary notices contained on the materials. No material may be modified, edited or taken out of context such that its use creates a false or misleading statement or impression as to the positions, statements or actions.

Please call, write or email us at:

OLM Ltd.

Canadian Address
9393 287th Street
Maple Ridge, British Columbia
Canada V2W 1L1

United States Address
P.O. Box 96
Sumas, Washington
USA 98295

Toll Line: 1.888.658.1658

Fax: 1.604.462.5333

sales@outdoorlivingtoday.com